



**THE SUPPLIER  
YOU HAVE  
ALWAYS NEEDED**



[www.ponderosawood.com](http://www.ponderosawood.com)



---

[info@ponderosawood.com](mailto:info@ponderosawood.com)

333 SW 12th Avenue,  
Deerfield Beach, FL 33442

---

### Who is Ponderosa Wood LLC?

PONDEROSA WOOD LLC is more than just a supplier; we are the partner your business has been waiting for.

For over 10 years we have been dedicated to serving the dynamic markets of South and Central America.

Over this time, we have earned a reputation as the trusted supplier for some of the largest retailers, dealers, and manufacturers in the region.

PONDEROSA WOOD LLC is a wholesale distributor that started its operations in the US market in 2022 to supply quality Wood products.

Our extensive product range includes everything from classic mouldings and interior doors to custom and exclusive models.

### Why Choose Ponderosa Wood?

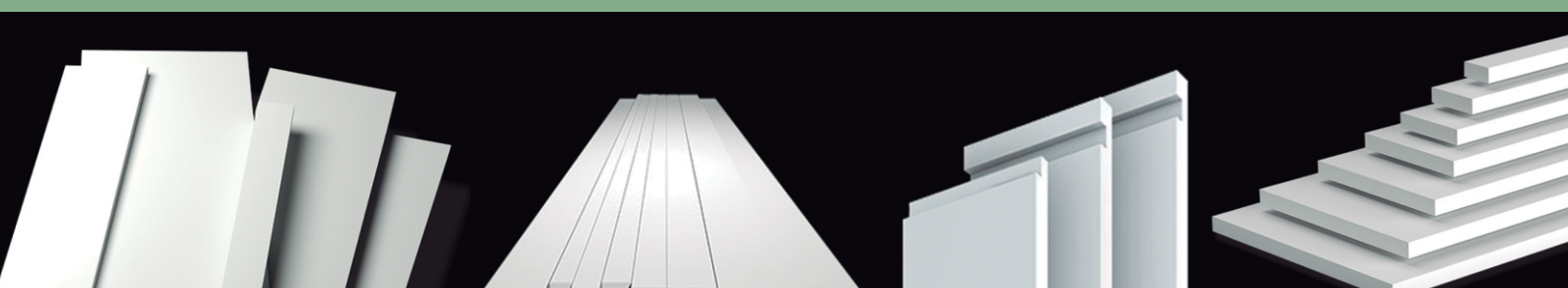
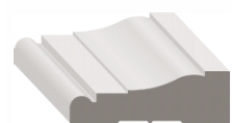
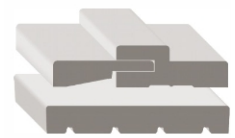
Choosing the right supplier is critical to your business's success.

Here's why PONDEROSA WOOD LLC stands out:

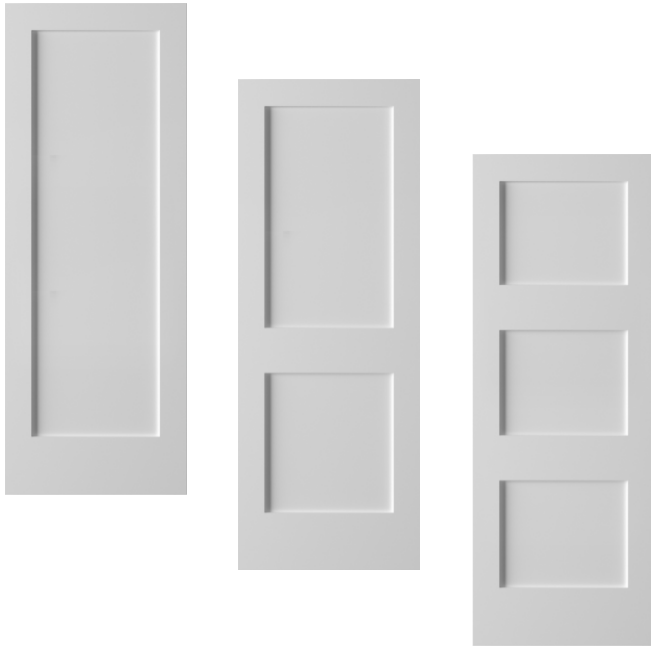
- \* Integrity: We pride ourselves on honesty and transparency in all our dealings.
- \* Customer-Centric: Your satisfaction is our priority. We collaborate closely with you to understand your needs and deliver solutions that exceed expectations.
- \* Top-Notch Materials: We source only the finest materials to ensure the quality and durability of our products.
- \* Perfect Finish: Our products are crafted with precision, resulting in a flawless finish that stands the test of time.
- \* Competitive Edge: Our commitment to innovation and quality gives your business the advantage it needs in a competitive market.
- \* Custom Creations: We offer unique, one-of-a-kind products tailored to your specific requirements.

Ponderosa Wood LLC is here to make your life easier. We are not just a supplier; we are your partner in success.

Let us know how we can help you elevate your business.



# SHAKERS



## AVAILABLE SIZES

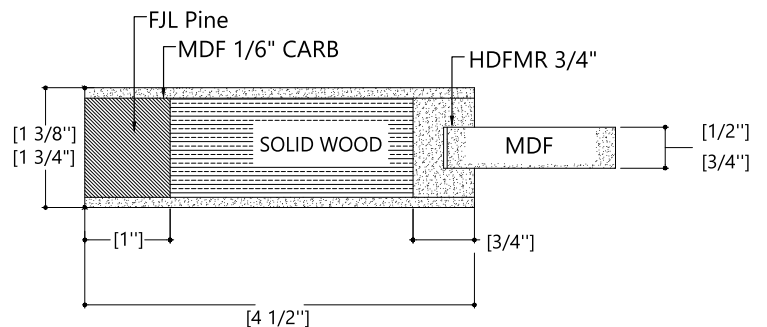
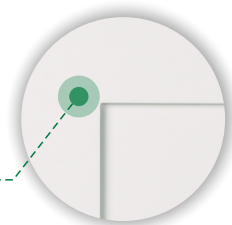
T	x	W	x	H	T	x	W	x	H
1-3/8"	x	24"	x	80"	1-3/8"	x	24"	x	96"
1-3/8"	x	28"	x	80"	1-3/8"	x	28"	x	96"
1-3/8"	x	30"	x	80"	1-3/8"	x	30"	x	96"
1-3/8"	x	32"	x	80"	1-3/8"	x	32"	x	96"
1-3/8"	x	34"	x	80"	1-3/8"	x	34"	x	96"
1-3/8"	x	36"	x	80"	1-3/8"	x	36"	x	96"

\* 1 3/4" & OTHER SIZES AND FR20 ARE AVAILABLE UPON REQUEST



## FEATURES & SPECS:

- \* SEAMLESS TECHNOLOGY
- \* SINGLE COMPLETE MDF SKIN
- \* 1/6" MDF SKIN (CARB)
- \* WOOD CORE
- \* **PANEL:**
  - 1/2" (1 3/8 DOOR)
  - 3/4" (1 3/4 DOOR)
- \* COPE & STICK - HDF MR
- \* PREMIUM SMOOTH UV PRIME
- \* BOTTOM CORNERS PROTECTORS
- \* INDIVIDUAL PACKING
- \* 5 YEARS LIMITED WARRANTY



# BI-FOLDS SHAKERS



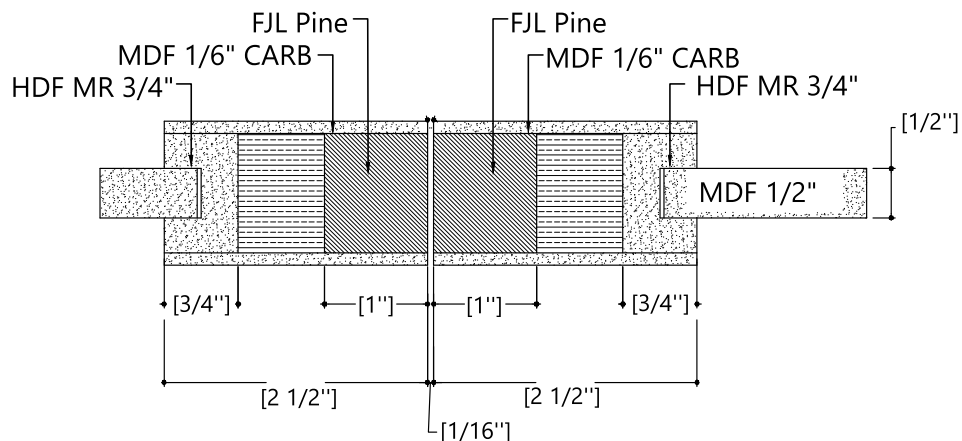
## AVAILABLE SIZES

T	x	W	x	H	T	x	W	x	H
1-3/8"	x	24"	x	80"	1-3/8"	x	24"	x	96"
1-3/8"	x	30"	x	80"	1-3/8"	x	30"	x	96"
1-3/8"	x	36"	x	80"	1-3/8"	x	36"	x	96"

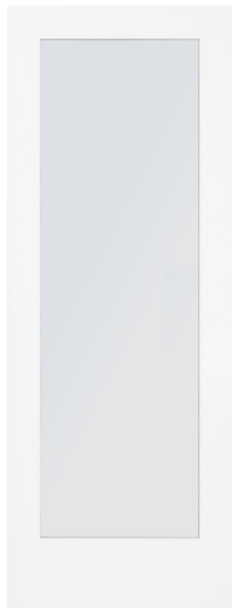
\* 1 3/4 & OTHER SIZES ARE AVAILABLE UPON REQUEST

## FEATURES & SPECS:

- SEAMLESS TECHNOLOGY \*
- SINGLE COMPLETE MDF SKIN \*
- 1/6" MDF SKIN (CARB) \*
- WOOD CORE \*
- PANEL:** \*
- 1/2" (1 3/8 DOOR) -
- 3/4" (1 3/4 DOOR) -
- COPE & STICK - HDF MR \*
- PREMIUM SMOOTH UV PRIME \*
- CARTON BOX PACKING \*
- 1700 BI-FOLD DOOR HARDWARE \*
- 5 YEARS LIMITED WARRANTY \*

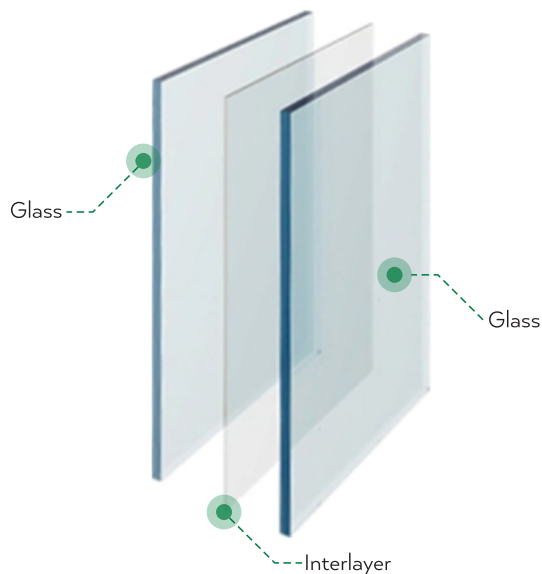


# 1-LITE SHAKERS



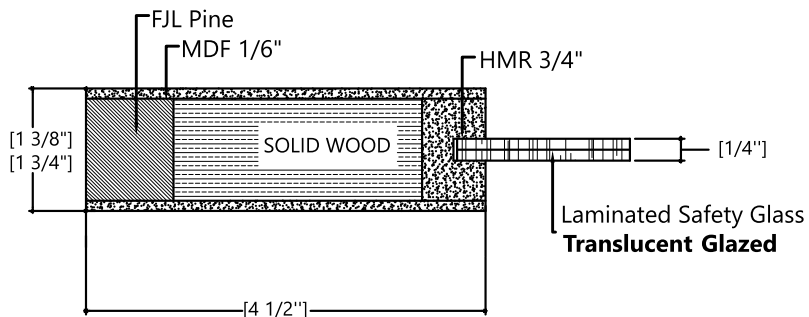
AVAILABLE SIZES									
T	x	W	x	H	T	x	W	x	H
1-3/8"	x	24"	x	80"	1-3/8"	x	24"	x	96"
1-3/8"	x	28"	x	80"	1-3/8"	x	28"	x	96"
1-3/8"	x	30"	x	80"	1-3/8"	x	30"	x	96"
1-3/8"	x	32"	x	80"	1-3/8"	x	32"	x	96"
1-3/8"	x	34"	x	80"	1-3/8"	x	34"	x	96"
1-3/8"	x	36"	x	80"	1-3/8"	x	36"	x	96"

\* 1 3/4" & OTHER SIZES ARE AVAILABLE UPON REQUEST

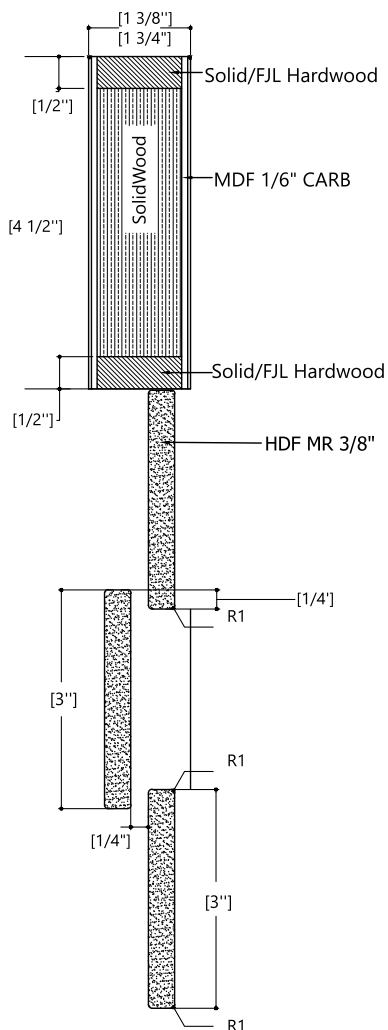


## FEATURES & SPECS:

- \* SEAMLESS TECHNOLOGY
- \* SINGLE COMPLETE MDF SKIN
- \* 1/6" MDF SKIN (CARB)
- \* WOOD CORE
- \* 1/4" FROSTED LAMI SAFETY GLASS
- \* PANEL HOUSING - HDF MR
- \* BOTTOM CORNERS PROTECTORS
- \* INDIVIDUAL PACKING
- \* PREMIUM SMOOTH UV PRIME
- \* 5 YEARS LIMITED WARRANTY



# SHADOW LOUVERS



AVAILABLE SIZES									
T	x	W	x	H	T	x	W	x	H
1-3/8"	x	24"	x	80"	1-3/8"	x	24"	x	96"
1-3/8"	x	28"	x	80"	1-3/8"	x	28"	x	96"
1-3/8"	x	30"	x	80"	1-3/8"	x	30"	x	96"
1-3/8"	x	32"	x	80"	1-3/8"	x	32"	x	96"
1-3/8"	x	34"	x	80"	1-3/8"	x	34"	x	96"
1-3/8"	x	36"	x	80"	1-3/8"	x	36"	x	96"

\* 1 3/4 & OTHER SIZES ARE AVAILABLE UPON REQUEST

## FEATURES & SPECS:

- SEAMLESS TECHNOLOGY \*
- SINGLE COMPLETE MDF SKIN \*
- 1/6" MDF SKIN (CARB) \*
- WOOD CORE \*
- 3" SHUTTERS \*
- INNOVATIVE DESIGN \*
- SIGNATURE PRODUCT \*
- PREMIUM SMOOTH UV PRIME \*
- BOTTOM CORNERS PROTECTORS \*
- INDIVIDUAL PACKING \*
- 5 YEARS LIMITED WARRANTY \*

# SHADOW LOUVERS BI-FOLDS



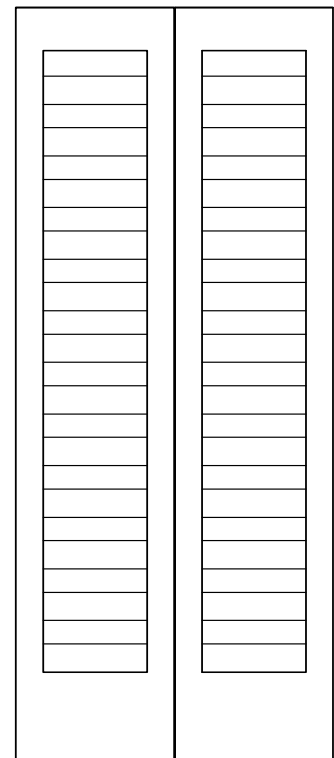
## AVAILABLE SIZES

T	x	W	x	H	T	x	W	x	H
1-3/8"	x	24"	x	80"	1-3/8"	x	24"	x	96"
1-3/8"	x	30"	x	80"	1-3/8"	x	30"	x	96"
1-3/8"	x	36"	x	80"	1-3/8"	x	36"	x	96"

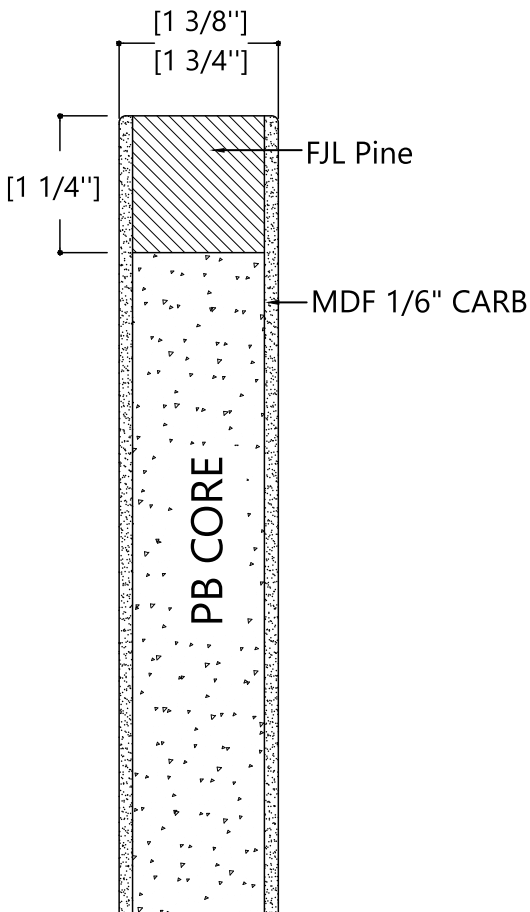
\* 1 3/4 & OTHER SIZES ARE AVAILABLE UPON REQUEST

## FEATURES & SPECS:

- \* SEAMLESS TECHNOLOGY
- \* SINGLE COMPLETE MDF SKIN
- \* 1/6" MDF SKIN (CARB)
- \* WOOD CORE
- \* 3" SHUTTERS
- \* PREMIUM SMOOTH UV PRIME
- \* CARTON BOX PACKING
- \* 1700 BI-FOLD DOOR HARDWARE
- \* 5 YEARS LIMITED WARRANTY



# FLUSH



AVAILABLE SIZES									
T	x	W	x	H	T	x	W	x	H
1-3/8"	x	24"	x	80"	1-3/8"	x	24"	x	96"
1-3/8"	x	28"	x	80"	1-3/8"	x	28"	x	96"
1-3/8"	x	30"	x	80"	1-3/8"	x	30"	x	96"
1-3/8"	x	32"	x	80"	1-3/8"	x	32"	x	96"
1-3/8"	x	34"	x	80"	1-3/8"	x	34"	x	96"
1-3/8"	x	36"	x	80"	1-3/8"	x	36"	x	96"

\* 1 3/4" & OTHER SIZES AND FR20 ARE AVAILABLE UPON REQUEST

## FEATURES & SPECS:

- 1/6" MDF SKIN (CARB) \*
- PB CORE \*
- PREMIUM SMOOTH UV PRIME \*
- BOTTOM CORNERS PROTECTORS \*
- INDIVIDUAL PACKING \*
- 5 YEARS LIMITED WARRANTY \*



# DESTINO



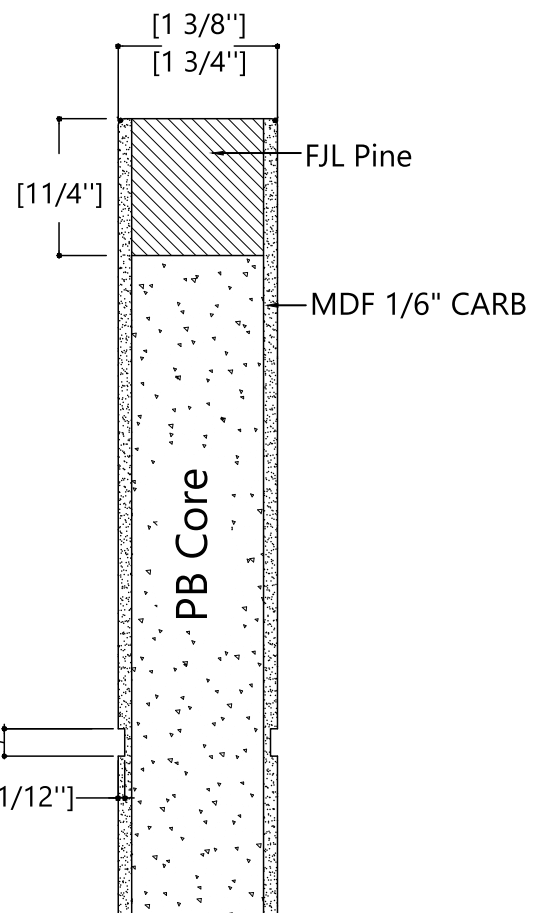
## AVAILABLE SIZES

T	x	W	x	H	T	x	W	x	H
1-3/8"	x	24"	x	80"	1-3/8"	x	24"	x	96"
1-3/8"	x	28"	x	80"	1-3/8"	x	28"	x	96"
1-3/8"	x	30"	x	80"	1-3/8"	x	30"	x	96"
1-3/8"	x	32"	x	80"	1-3/8"	x	32"	x	96"
1-3/8"	x	34"	x	80"	1-3/8"	x	34"	x	96"
1-3/8"	x	36"	x	80"	1-3/8"	x	36"	x	96"

\* 1 3/4" & OTHER SIZES AND FR20 ARE AVAILABLE UPON REQUEST

## FEATURES & SPECS:

- \* 1/6" MDF SKIN (CARB)
- \* PB CORE
- \* PRIMED GROOVES 1/4"x1/2"
- \* PREMIUM SMOOTH UV PRIME
- \* BOTTOM CORNERS PROTECTORS
- \* INDIVIDUAL PACKING
- \* 5 YEARS LIMITED WARRANTY



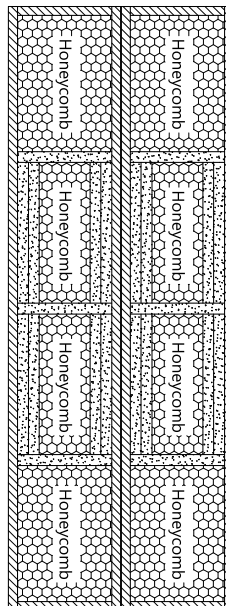
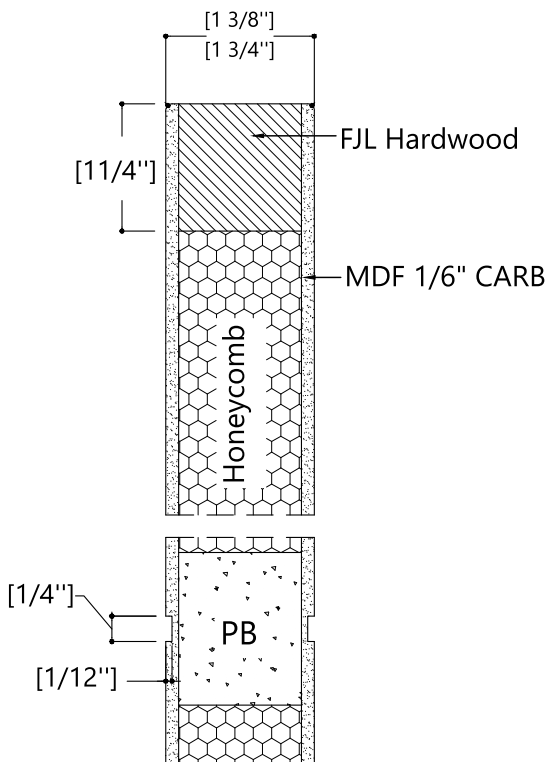
# DESTINO BI-FOLDS



## AVAILABLE SIZES

T	x	W	x	H	T	x	W	x	H
1-3/8"	x	24"	x	80"	1-3/8"	x	24"	x	96"
1-3/8"	x	30"	x	80"	1-3/8"	x	30"	x	96"
1-3/8"	x	36"	x	80"	1-3/8"	x	36"	x	96"

\* 1 3/4" & OTHER SIZES ARE AVAILABLE UPON REQUEST



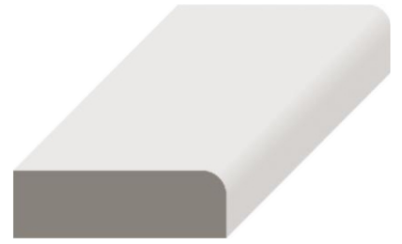
## FEATURES & SPECS:

- 1/6" MDF SKIN (CARB) \*
- SEMI-SOLID CORE: \*
- HONEY COMB CRAFT -
- REINFORCED W/SOLID WOOD -
- PRIMED GROOVES 1/4"x1/2" \*
- PREMIUM SMOOTH UV PRIME \*
- CARTON BOX PACKING \*
- 1700 BI-FOLD DOOR HARDWARE \*
- 5 YEARS LIMITED WARRANTY \*

# JAMBS

## Finger Joint Radiata Pine 887 Doorstop

- PFJ S3S 3/8" X 1 1/4" X 86"
- PFJ S3S 3/8" X 1 1/4" X 98"



## Finger Joint Radiata Pine Jambs

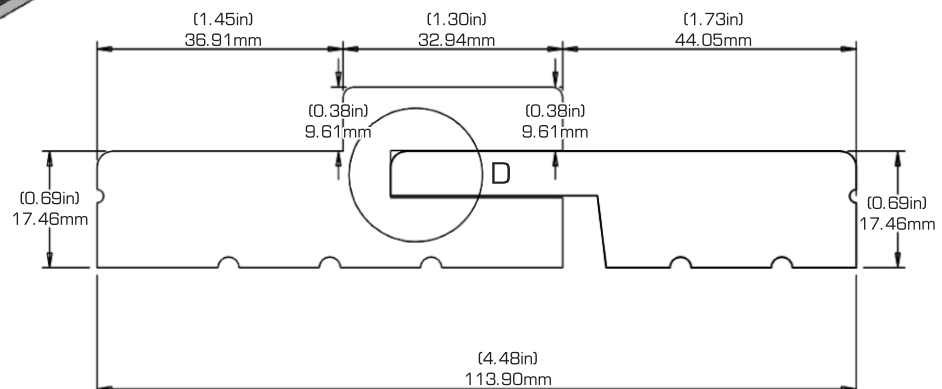
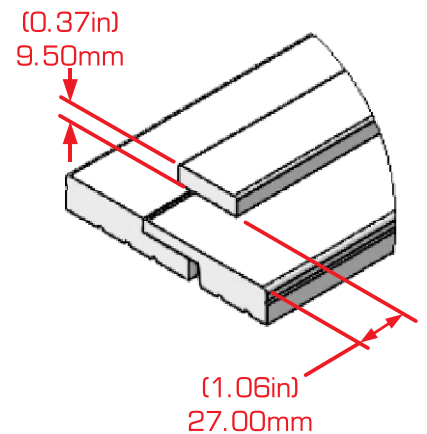
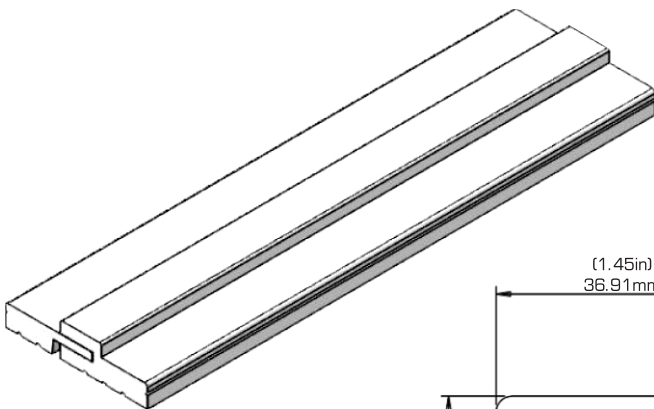
- PFJ S3S 4 5/8" X 1 1/16" X 81" BD - 6/8
- PFJ S3S 4 5/8" X 1 1/16" X 97" BD - 8/0
- PFJ S3S 4 7/8" X 1 1/16" X 81" BD - 6/8
- PFJ S3S 4 7/8" X 1 1/16" X 97" BD - 8/0
- PFJ S3S 5 1/4" X 1 1/16" X 81" BD - 6/8
- PFJ S3S 5 1/4" X 1 1/16" X 97" BD - 8/0
- PFJ S3S 7 1/4" X 1 1/16" X 97" BD - 8/0



# SIGNATURE PRODUCT

## Finger Joint Radiata Pine Spit Jambs

PFJ S3S 4 5/8" X 1 1/4" X 6/8



# SIGNATURE LINE – ONEBY

## We are thrilled to announce a **GROUNDBREAKING Enhancement to our OneBy Material!**

Thanks to our significant investment in S4S technology, which guarantees a consistently impeccable finish on all **FOUR** sides, enhancing the overall versatility of our products.

## We've decided to take its versatility a step further!

Now on one side, you'll find our familiar flawless finishing, while the other side boasts a stylish GROOVE, transforming it into a REVERSIBLE baseboard. This innovative design gives you the Freedom to showcase it with or without the groove, providing an unprecedented level of flexibility in your choices. We believe that this enhancement will not only meet, but exceed your expectations, elevating your experience with our products.

## PREMIUM LINE

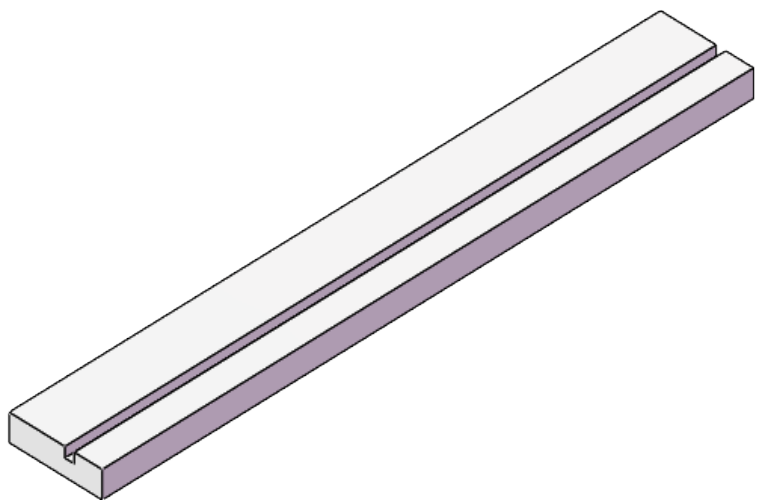
### Flat Stock - RADIATA PINE ONEBY REVERSIBLE Finger Joint Primed S4S

- PFJ S4S 1 X 3 (2 1/2" X 11/16" X 17')
- PFJ S4S 1 X 3 (2 1/2" X 11/16" X 85')

- 
- PFJ S4S 1 X 4 (3 1/2" X 9/16" X 17')
  - PFJ S4S 1 X 4 (3 1/2" X 21/32" X 17')
  - PFJ S4S 1 X 4 (3 1/2" X 11/16" X 17')

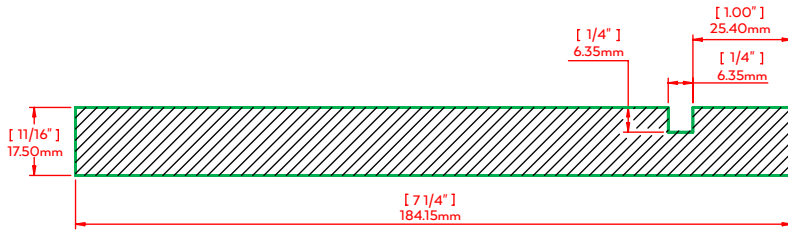
- 
- PFJ S4S 1 X 6 (5 1/2" X 9/16" X 16')
  - PFJ S4S 1 X 6 (5 1/2" X 21/32" X 16')
  - PFJ S4S 1 X 6 (5 1/2" X 11/16" X 16')

- 
- PFJ S4S 1 X 8 (7 1/4" X 9/16" X 16')
  - PFJ S4S 1 X 8 (7 1/4" X 21/32" X 16')
  - PFJ S4S 1 X 8 (7 1/4" X 11/16" X 16')

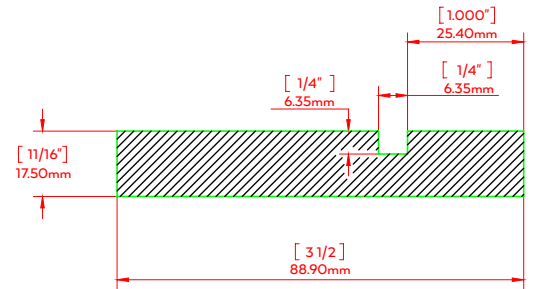


# SIGNATURE LINE DRAWINGS

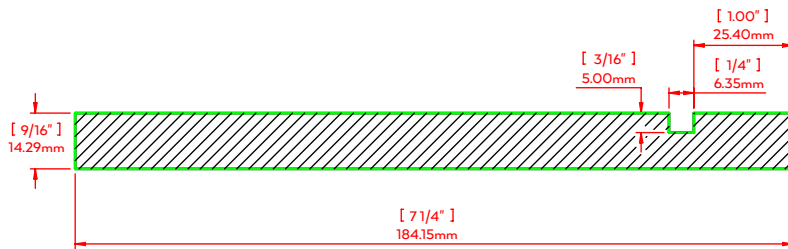
PFJ S4S 1 X 8 REVERSIBLE (11/16")



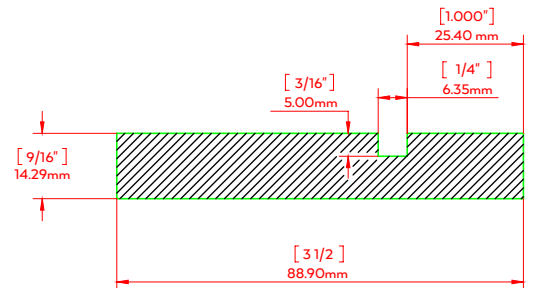
PFJ S4S 1 X 4 REVERSIBLE (11/16")



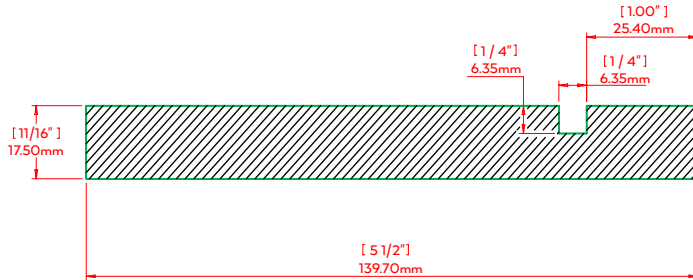
PFJ S4S 1 X 8 REVERSIBLE (9/16")



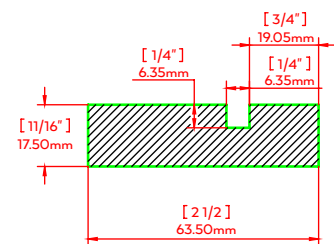
PFJ S4S 1 X 4 REVERSIBLE (9/16")



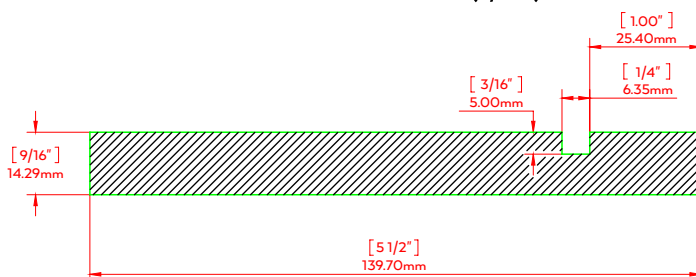
PFJ S4S 1 X 6 REVERSIBLE (11/16")



PFJ S4S 1 X 3 REVERSIBLE (11/16")



PFJ S4S 1 X 6 REVERSIBLE (9/16")



# Flat Stock - ONEBY

## Finger Joint Primed S4S

- PFJ S4S 1 X 3 (2 1/2" X 11/16" X 17')
- PFJ S4S 1 X 3 (2 1/2" X 11/16" X 85')

---

- PFJ S4S 1 X 4 (3 1/2" X 9/16" X 17')
- PFJ S4S 1 X 4 (3 1/2" X 21/32" X 17')
- PFJ S4S 1 X 4 (3 1/2" X 11/16" X 17')

---

- PFJ S4S 1 X 6 (5 1/2" X 9/16" X 16')
- PFJ S4S 1 X 6 (5 1/2" X 21/32" X 16')
- PFJ S4S 1 X 6 (5 1/2" X 11/16" X 16')

---

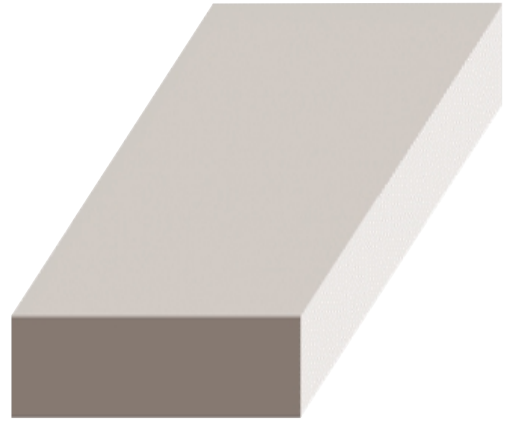
- PFJ S4S 1 X 8 (7 1/4" X 9/16" X 16')
- PFJ S4S 1 X 8 (7 1/4" X 11/16" X 16')

---

- PFJ S4S 1 X 10 (9 1/4" X 11/16" X 16')

---

- PFJ S4S 1 X 12 (11 1/4" X 11/16" X 16')



## Finger Joint Primed S3S



- PFJ S3S PW 5180 (5 1/4" X 9/16" X 16')

---

- PFJ S3S PW 618 (5 1/4" X 9/16" X 16')
- PFJ S3S PW 620 (4 1/4" X 9/16" X 16')
- PFJ S3S PW 623 (3 1/4" X 9/16" X 16')

---

- PFJ S3S PW 473 CASING 2 1/4 (2 1/4" X 9/16" X 17')
- PFJ S3S PW 473 CASING 2 1/4 (2 1/4" X 9/16" X 85')
- PFJ S3S PW 473 CASING 2 1/4 (2 1/4" X 9/16" X 102')

---

- PFJ S3S PW 453 CASING 2 1/4 (2 1/4" X 11/16" X 17')
- PFJ S3S PW 453 CASING 2 1/4 (2 1/4" X 11/16" X 85')
- PFJ S3S PW 453 CASING 2 1/4 (2 1/4" X 11/16" X 102')

---

- PFJ S3S PW 433 BASE (5 1/4" X 9/16" X 16')

# MOULDINGS



16 NG (5 1/8"X5/8"X16')

18 NG (7 1/4"X5/8"X16')

16 TGV (5 1/2"X3/4"X16')

PFJ S3S PW 106 QUARTER ROUNDS (11/16" X 11/16" X 12')

PFJ S3S PW 108 QUARTER ROUNDS (1/2" X 1/2" X 12')



---

PFJ S3S PW 366 CASING (2 1/4" X 11/16" X 85')



---

PFJ S3S PW 356 CASING (2 1/4" X 11/16" X 85')



---

PFJ PW 129 BASE SHOE (7/16" X 11/16" X 12')





*[info@ponderosawood.com](mailto:info@ponderosawood.com)*

*333 SW 12th Avenue,  
Deerfield Beach, FL 33442*